



**dahua**  
TECHNOLOGY

# DH-IPC-K100/ DH-IPC-K100A / K100W

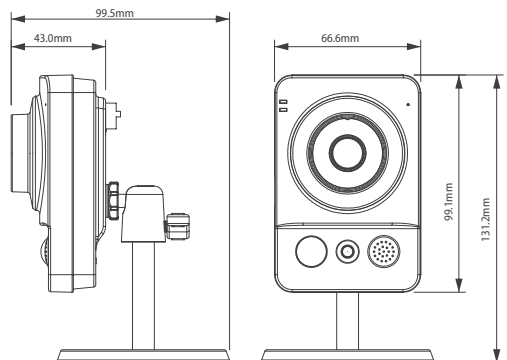
1.3Megapixel HD Cube Network Camera



## Features

- 1/3" 1.3Megapixel Aptina CMOS
- H.264 & MJPEG dual-stream encoding
- Max 15fps@1.3M (1280×960)/25/30fps@720P(1280×720)
- DWDR, Day/Night, 2DNR, Auto iris, AWB, AGC, BLC
- Multiple network monitoring: Web viewer, CMS(DSS/PSS) & DMSS
- 3.6mm fixed lens
- White LEDs length 10m
- PIR sensor range 6m
- Micro SD memory (K100A&K100W only), PoE (K100&K100A only), Wi-Fi (K100W only)

## Dimensions (mm)



# DH-IPC-K100/K100A/K100W

1.3Megapixel HD Cube Network Camera

## Technical Specifications

Model	DH-IPC-K100		DH-IPC-K100A		DH-IPC-K100W	
Camera	Image Sensor	1/3" 1.3Megapixel Aptina CMOS				
	Effective Pixels	1280(H)x960(V)				
	Scanning System	Progressive				
	Electronic Shutter Speed	Auto/Manual 1/3~1/10000 (PAL)				
		Auto/Manual 1/4~1/10000(NTSC)				
	Min. Illumination	0.1lux/F1.8(color),				
S/N Ratio	>50dB					
Camera Features	Max. LEDs Length	10m				
	Day/Night	Auto(Electronic) / Color / B/W				
	White Balance	BLC / HLC / DWDR				
	Gain Control	Auto/Manual				
	Noise Reduction	2D				
	Privacy Masking	Up to 4 areas				
Lens	Focal Length	3.6mm				
	Max Aperture	F1.8				
	Angle of View	70°				
	Mount Type	Board-in Type				
Video	Compression	H.264/MJPEG				
	Resolution	1.3M(1280x960)/720P(1280x720)/D1/CIF				
	Frame Rate	Main Stream	1.3M(1~15fps)/720P/D1(1~25/30fps)			
		Sub Stream	D1/CIF(1 ~ 25/30fps)			
Bit Rate	H.264: 32K ~ 8096Kbps,MJPEG:32K~12288Kbps					
Audio	Compression	N.A.		G.711a / G.711u (64kbps)/ PCM(128kbps)		
	Interface	N.A.		Built-in Mic, Built-in speaker		
Network	Ethernet	RJ-45 (10/100Base-T)			RJ-45(10/100Base-T) / Wi-Fi(802.11b/g)	
	Protocol	IPv4/IPv6, HTTP, SSL, TCP/IP, UDP, UPnP, ICMP, IGMP, SNMP, RTSP, RTP, SMTP, NTP, DHCP, DNS, PPPOE, DDNS, FTP, IP Filter, QoS, Bonjour				
	ONVIF	ONVIF Ver. 2.0				
	Max. User Access	10 users				
	Smart Phone	iPhone, iPad, Android, Windows Phone				
Auxiliary Interface	Memory Slot	N.A.		Micro SD, Max 32GB		
	PIR Sensor Range	Up to 6m				
	Alarm	N.A.		1/1 channel In/Out		
General	Power Supply	DC12V,PoE(802.3af)			DC12V	
	Power Consumption	<4W				
	Working Environment	-10°C~+50°C, 10%~90%				
	Dimensions(WxDxH)	66.6x43mmx131.2				
	Weight	0.35kg (0.4kg with bracket)				

\*Design and specifications are subject to change without notice.

IPC-019-01, Nov 2012

## DAHUA TECHNOLOGY CO., LTD.

No.1187 Bin'an Road, Binjiang District, Hangzhou, China. 310053

Tel: +86-571-87688883 Fax: +86-571-87688815

Email: overseas@dahuatech.com

www.dahuasecurity.com



© Dahua Technology, All rights reserved